

- 1 Mounting Plate x 1
- 2 Packing pieces x 2
- 3 Slam Latch x 1
- 4 Strike Plate x 1
- 5 Panhead fixing bolt x 2
- 6 Countersunk fixing bolt x 3 (1 spare)
- 7 Spindles x 2 (30mm and 40mm)
- 8 Countersunk screws x 4 (for Slam Latch if fixing plate not used)
- 9 Countersunk wood screws x 2 (for Strike Plate if used)
- 10 Fixing bolts x 4 (Allen key provided)

II-KL-SL-v2:0313

Go Keyless. Go KitLock.

CODELOCKS LTD UK

Tel: +44 (0) 1635 239645
Fax: +44 (0) 1635 239644
sales@codelocks.co.uk

CODELOCKS INC US

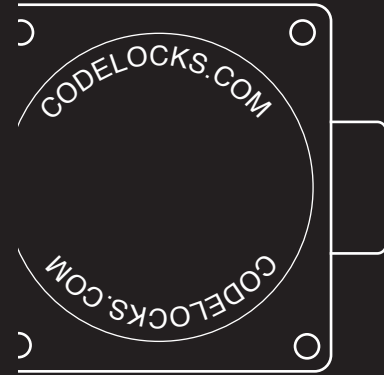
Tel: +1 714 979 2900
Fax: +1 714 979 2902
sales@codelocks.us



WWW.KITLOCK.COM

KitLock is a Codelocks Ltd brand

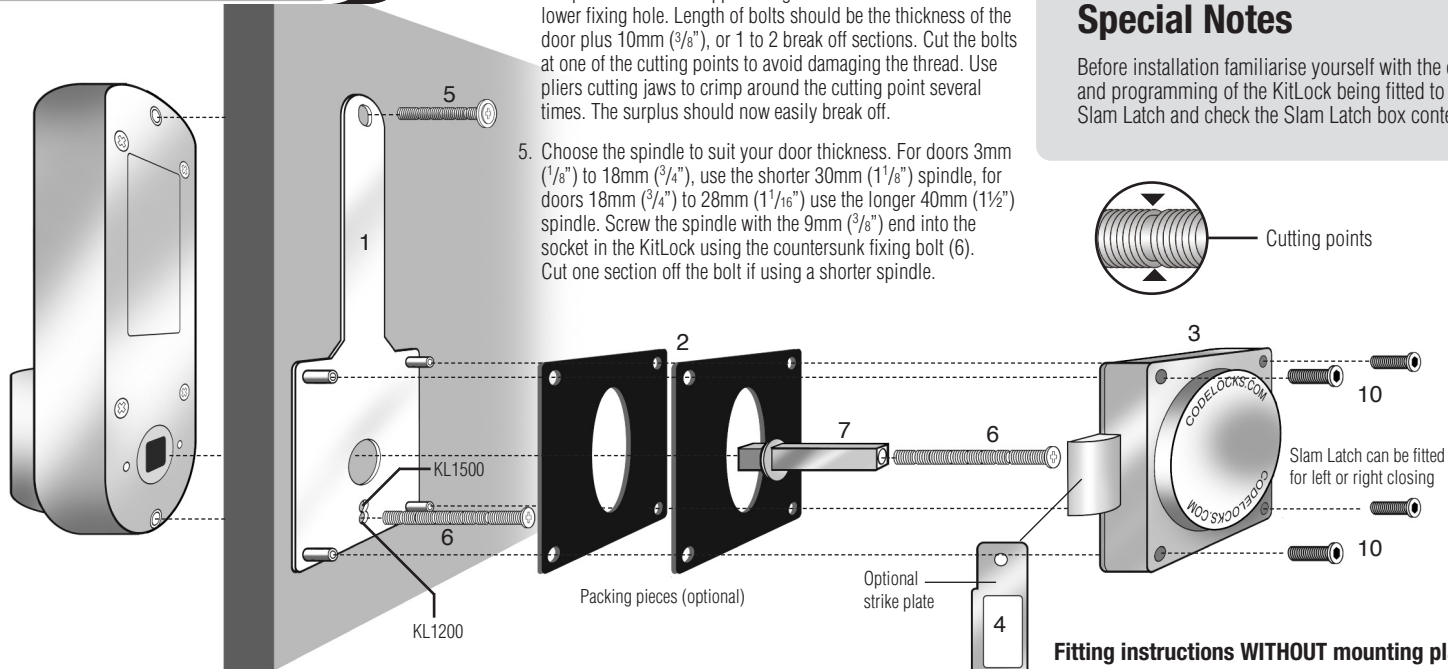
Fitting
Instructions



SLAMLATCH

Kit·Lock
Coded Locker Solutions

Slam Latch fitting instructions



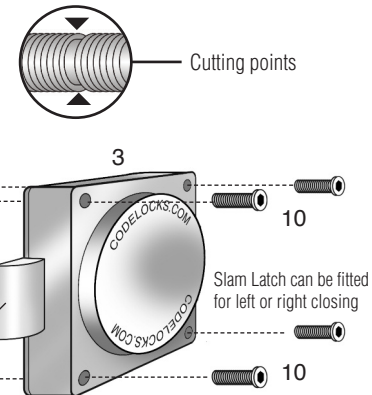
1. Remove the mounting plate (1) from the Slam Latch (3) by removing the 4 fixing bolts (10).
2. Using the mounting plate as a template for the latch position, place on the inside face of the door as dictated by the door frame surrounding. Mark spindle hole and top and bottom fixing holes. Please note there are two positions for the lower fixing hole; the upper being used for the KL1500 and the lower for the KL1200. When choosing the position of your Slam Latch, take into account any rebate or frame that the door closes against. The Slam Latch should be positioned between 2mm ($\frac{5}{64}$ ") and 4mm ($\frac{5}{32}$ ") back from the edge of the door or rebate, or any striking plate mounted to the door frame or rebate.
3. Drill the 13mm ($\frac{1}{2}$ ") spindle fixing hole and the two 6mm ($\frac{1}{4}$ ") holes.

4. Cut pan head bolt for upper fixing hole and countersunk bolt for lower fixing hole. Length of bolts should be the thickness of the door plus 10mm ($\frac{3}{8}$ "), or 1 to 2 break off sections. Cut the bolts at one of the cutting points to avoid damaging the thread. Use pliers cutting jaws to crimp around the cutting point several times. The surplus should now easily break off.
5. Choose the spindle to suit your door thickness. For doors 3mm ($\frac{1}{8}$ ") to 18mm ($\frac{3}{4}$ "), use the shorter 30mm ($1\frac{1}{8}$ ") spindle, for doors 18mm ($\frac{3}{4}$ ") to 28mm ($1\frac{1}{16}$ ") use the longer 40mm ($1\frac{1}{2}$ ") spindle. Screw the spindle with the 9mm ($\frac{3}{8}$ ") end into the socket in the KitLock using the countersunk fixing bolt (6). Cut one section off the bolt if using a shorter spindle.

6. Fix the KitLock to the door, passing the panhead bolt (5) through the top hole and the countersunk bolt (6) through the bottom hole of the mounting plate. Ensure the spindle (7) passes through the centre of the spindle hole in the mounting plate.
7. Fit the Slam Latch (3) to the mounting plate using the four fixing bolts (10). Enter your master or user code and turn the handle to retract the latch. Release the handle and make sure the latch springs back.
8. If required, strike plate (4) can be mounted on door frame to receive the latch. Fit accurately ensuring that the latch enters the strike aperture easily. If required packing pieces (2) can be used to align the latch with the strike.

Special Notes

Before installation familiarise yourself with the operation and programming of the KitLock being fitted to the Slam Latch and check the Slam Latch box contents.



Fitting instructions WITHOUT mounting plate

1. As previous.
2. As previous step 2. But also mark around outside edge of square section of mounting plate.
3. As previous.
4. Using the guide marks made using the mounting plate template place one of the packing pieces on the inside of the door and mark the 4 corner fixing holes.
5. Fit the KitLock to the door using two panhead bolts (5) and fit the spindle to the KitLock with the countersunk fixing bolt (6). If not countersinking the bottom fixing bolt, use one of the packing pieces to allow clearance.
6. Place the Slam Latch (3) over the spindle and secure with the four screws (8) provided. Enter your master or user code and turn the handle to retract the latch. Release the handle and make sure the latch springs back.