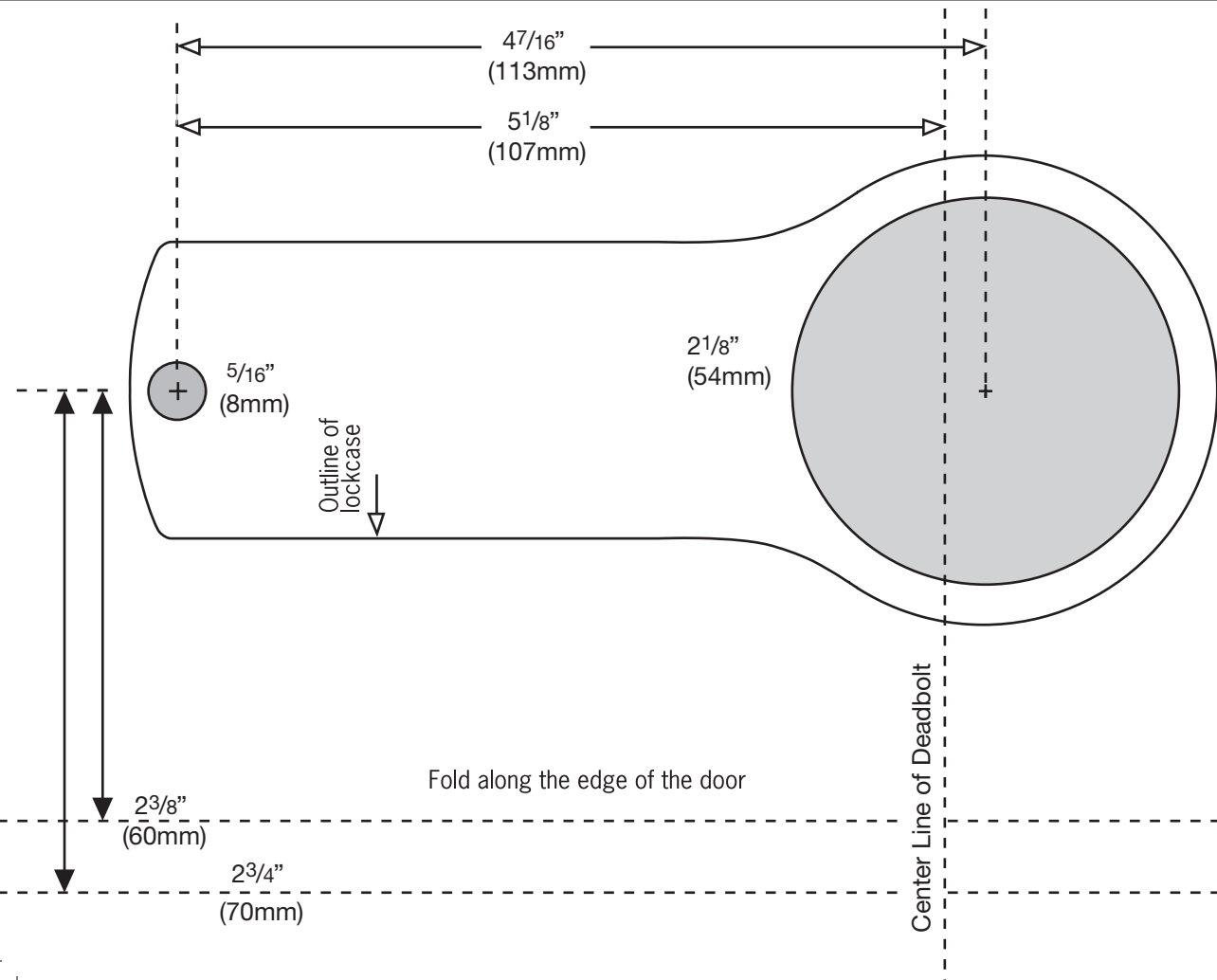
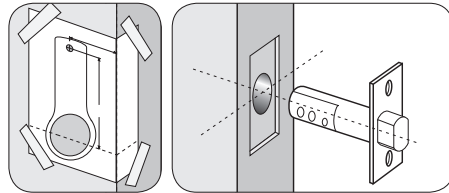


TEMPLATE



1. APPLY THE TEMPLATE

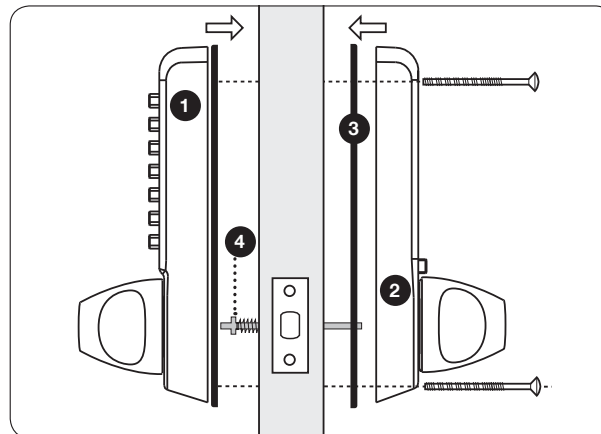


- Select the required backset, 2³/₈" (60mm) or 2³/₄" (70mm) and crease along the line marked door edge and tape it to the door.
- Mark the holes to be drilled according to your template. Mark the center line of the door edge on the center line of the deadbolt.
- Now apply the template to the other side of the door, aligning it with your first mark in the middle of the door edge.
- Keeping the drill level and square to the door, drill holes from both sides to avoid splintering of the door face.

Positioning and fixing the deadbolt

- Mark a central point on the 'center line of deadbolt' on the door edge.
- Mark the depth of 3¹/₂" (90mm) on the drill bit with tape to act as a visible depth limit. Drill a 1" (25mm) hole, 3¹/₂" (90mm) deep, keeping the drill level and square to the door.
- Put the deadbolt into the hole, and with the edges parallel to the door, draw around the face plate.
- Remove the deadbolt. Score the outline with a Stanley Knife to avoid splitting prior to chiselling a 1/8" (3mm) deep rebate to fit the faceplate flush to the door.
- Insert deadbolt with arrow pointing up, fix with the wood screws.

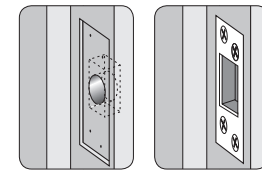
2. FIXING THE LOCK



- The spring-loaded spindle will fit doors between 1³/₈" and 2¹/₂" (35mm - 65mm) thick. For doors less than 2" (50mm) thick break off the 5/8" (15mm) section at the end of the spindle. For doors more than 2¹/₂" (65mm) thick, ring the Helpline for advice. The spring keeps the spindle firmly engaged in the outside handle when the lock is assembled on the door.
 - Insert the spindle, with the spring on the code side, through the 2¹/₈" (54mm) hole in the door, and make sure that it engages the deadbolt correctly for the hand of the door
 - Cut the fixing bolts to suit the door thickness, allowing at least one but not more than two threaded sections to enter the lock case.
 - Using the fixing bolts, screw front and back plates together through the door as per the diagram with gaskets in place. Before final tightening make sure that the lock is vertical, and test the mechanism ensure that it is all moving easily.
- DO NOT CLOSE THE DOOR UNTIL YOU ARE SURE THAT THE CODE WORKS. DO NOT** over tighten the fixing bolts as this may cause distortion and lead to poor operation.

3. FITTING THE KEEP PLATE

- Position the keep plate on the frame so that it lines up with the deadbolt.
- Mark the inner and outer edges of the keep plate and cut a rebate so that it fits flush with the surface of the door frame.
- Drill or cut a recess 1" (25mm) deep for the deadbolt.
- Fit the keeper plate using only one wood screw at first to ensure that it is positioned accurately. The deadbolt should enter the aperture easily. When satisfied secure the keep with remaining screws.



INSTALLATION INSTRUCTIONS

CODELOCK
300
MECHANICAL

Mortise Deadbolt with Key Override

Helpline, service & spares
TOLL FREE 1 877 263 3562

CODELOCKS INC - US
Tel +1 714 9792900
Fax +1 714 9792902
sales@codelocks.co.us
www.codelocks.us

CODELOCKS LTD - UK
Tel +44 (0)1635 239645
Fax +44 (0)1635 239644
sales@codelocks.co.uk
www.codelocks.com

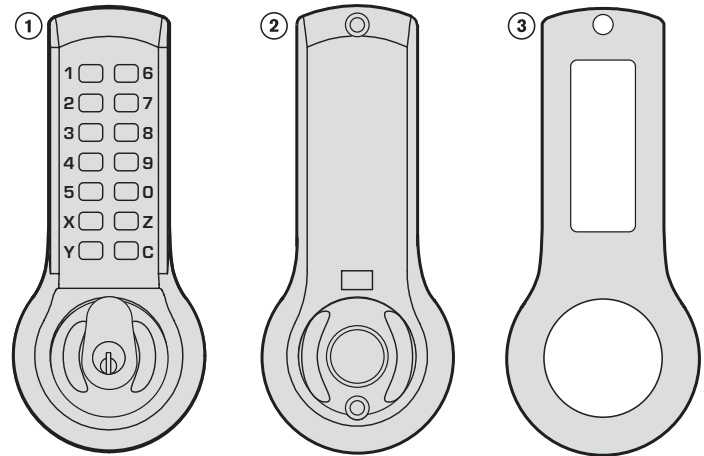
11-300MDUS-0912

CODELOCKS
control + convenience



MORTISE DEADBOLT

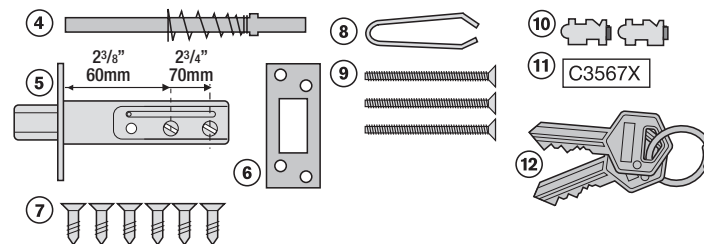
CONTENTS



1. Front plate with key override
2. Back plate
3. Gaskets x 2
4. Spring loaded spindle
5. Deadbolt 2³/₈" and 2³/₄" (60mm - 70mm) backset
6. Keep plate
7. Wood screws x 6
Use with latch & strike plate
8. Tweezers (for changing the code)
9. Large fixing bolts 3 supplied (spare x 1)
10. Code tumblers (spare x 2)
11. Code card
12. 2 keys

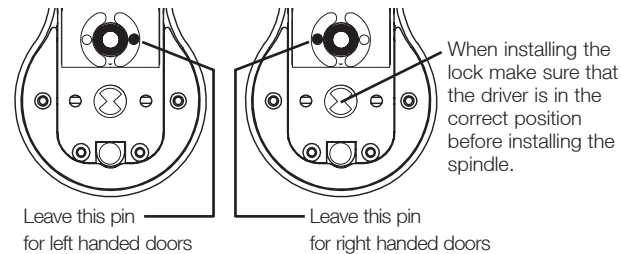
Tools required for installation

- Power drill
- 1" (25mm) 2¹/₈"(54mm), 5/16" (8mm)
- Bradawl
- Philips screwdriver size 2
- Chisel maximum 1" (25mm)
- Hammer/Mallet
- Stanley knife
- Adhesive tape
- Pencil
- Tape measure



OUTSIDE KNOB LOCKING ACTION

To enable **LOCKING** of the bolt from the outside, without entering the code.



NB – Your door is Right Handed if, from outside, the hinges are on the right.

- Press the C button to reset the chamber and place the lock case on a flat surface with the buttons down.
- Remove the code chamber plate held in place with the two red screws.
- With the tweezers remove the right-hand pin for right handed doors, or the left-hand pin for left handed doors.
- Replace the cover plate.
- The outside knob will now feel loose and turn freely in one direction, and will require the code to be used before it will turn in the other direction.

SPECIAL NOTES

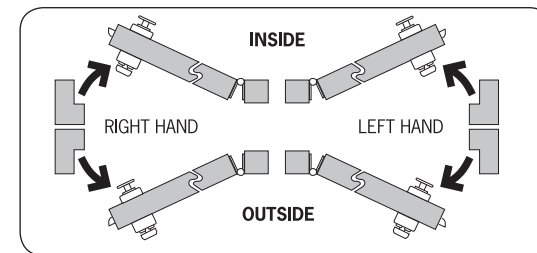
You are advised to familiarise yourself with the instructions before starting work.

Before commencing installation check that all parts are working correctly – press the code according to the code card and then the knob should turn and return easily under spring pressure. If you have a key override lock try the keys to ensure that they turn in the knob handle.

If you intend to change the code, you should do it, if it is convenient, before installing the lock – see the code change instructions in the separate leaflet. Check that the deadbolt moves freely by turning the flat spindle in the cam.

From outside the code is required both to lock and unlock the bolt. If you would like to be able to lock your door from outside WITHOUT using the code then refer to Outside Knob Locking Action instruction.

CHECK THE HAND OF YOUR DOOR



Viewed from outside, a door is right handed if the hinges are on the right, and left handed if the hinges are on the left.

TEMPLATE

