



KL10 Mechanical

0010 BK PU, 0010 BK PT

Designed with simplicity in mind, the KL10 offers mechanical keyless access suitable for a variety of lockers, cabinets and cupboards. Now available in Public Function.

A durable, compact, easy to use mechanical lock. Designed to be both retrofitted or installed on new cabinets. Changing or resetting the code can be completed easily whilst the lock is still on the door, or if the code has been forgotten it can be retrieved using the code finding key (sold separately).

Functions

Public Function

The KL10 Public Function is ideal for short term, multiple occupancy applications. The user enters a personal four digit code, this locks the lock. The same code is entered once only to open the lock, the lock remains open ready for the next user.

Private Function

The KL10 Private Function is ideal for use where the same, personal 4 digit code will be repeatedly used, e.g. an employee with the same locker/drawer in the workplace.

Code Retrieval

Use the Code Finding Key to retrieve the forgotten code by simply turning the dials individually until the correct code 'clicks' into place.

Fixing Packs

Retail Boxed

Straight cam, cranked cam, hex nut, metal clip, washer and three screws.

OEM

Straight cam, hex nut and 1 screw.

Technical Specifications

Feature	Description
Functions	Public or Private
Material	Zinc Alloy
Code Length	4 digit
Code Storage	Single code
Suitable For	Internal applications only*
Spindle Length	Fixed spindle suitable up to 18mm (11/16") thick
Handing	Non-handed
Door Prep.	19mm (3/4") diameter
Indicators	Locked / unlocked
Fixings	Hex nut, metal clip, washer and three screws
Cam	44.7mm (1 3/4") straight cam and 50mm (2") crank cam supplied with retail boxed product

*Not suitable for chlorine environments.

Key Features

- Easy to install and retrofit
- Locked and unlocked indicators
- 4 wheel code combination
- Up to 10,000 unique combinations
- Black powder coated finish
- Public and private functions
- Easy grip outer casing
- Code retrieval function
- Ready for doors up to 18mm (11/16") thick
- Suitable for internal use only*
- Code finding key available
- Scramble locking

Installation Guides

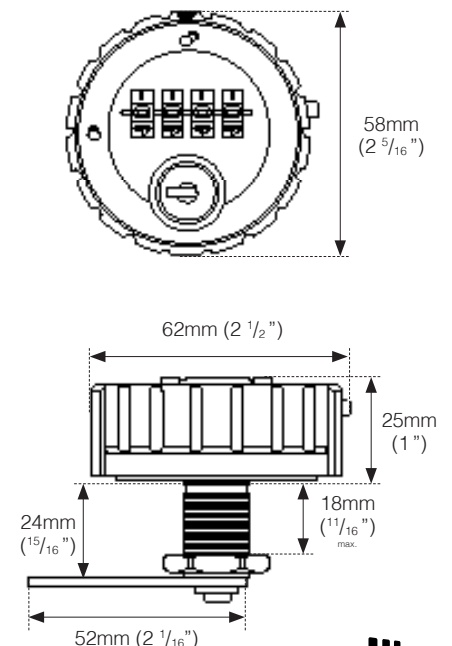
KL10 Public

[Installation and Operating Instructions](#)

KL10 Private

[Installation and Operating Instructions](#)

Dimensions



CONNECT WITH US

