



### XT1

Suitable for lock models:

- CL100, CL155, CL160, CL190
- CL200, CL210, CL250, CL255, CL290
- CL2200, CL2210, CL2255

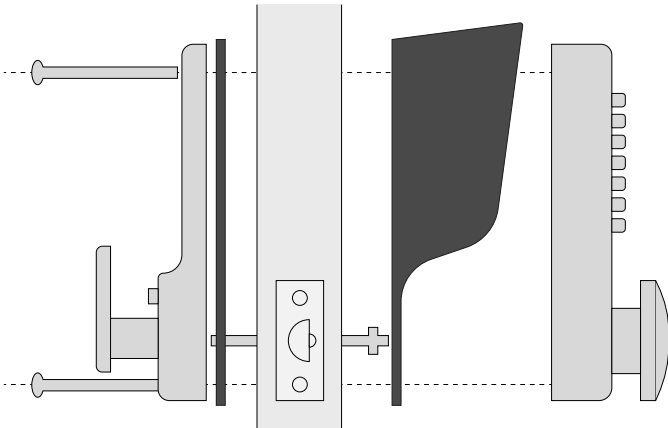
**Note:** Two covers may be required for back to back models.



### XT2

Suitable for all CL500 series locks.

**Note:** Two covers may be required for back to back models.



### XT3

Suitable for lock models:

- CL600 series locks
- CL4000 series locks
- CL5000 series locks
- CL4500 smart locks
- CL5500 smart locks

**Note:** Two covers may be required for back to back models.

## Installation Notes

PINGuard™ by Codelocks covers are suitable for new or existing installations, replacing the front plate gasket only. Two covers may be required for back to back models.

- An **additional cable hole** is required to accept the power cable when installing the XT1 PINGuard™ cover with the CL2255. Before installing, use a **CL2255 Installation Template** as a guide to drill / cut out the 20mm (<sup>13</sup>/<sub>16</sub>" ) hole.
- Two extra fixing holes are required when installing the XT3 PINGuard™ cover with locks from the CL600 / CL5000 / CL5500 range. Drill / cut out the **pre-stamped fixing holes** visible when looking at the back of your XT3 PINGuard™ cover. The lower stamped holes are for the CL600 series. The upper stamped holes are for the CL5000 / CL5500 series.

## New Installation

- Upon starting the installation of the lock, remove and dispose of the factory supplied front plate gasket, and replace with the PINGuard™ by Codelocks cover.
- Follow the Installation Instructions supplied as normal.
- The Installation Instructions can be downloaded from: [www.codelockssupport.com](http://www.codelockssupport.com)

## Existing Installation

- Remove the lock.
- If in place, remove the gasket and replace with the PINGuard™ by Codelocks cover.
- Re-fix the lock.
- The Installation Instructions can be downloaded from: [www.codelockssupport.com](http://www.codelockssupport.com)

